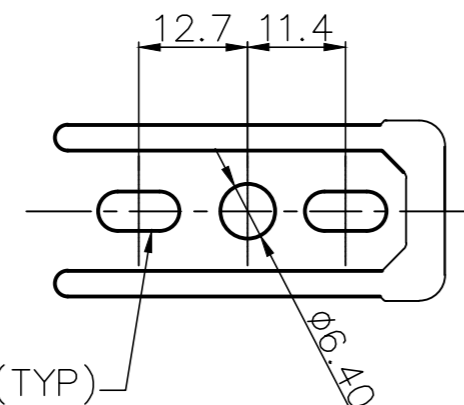
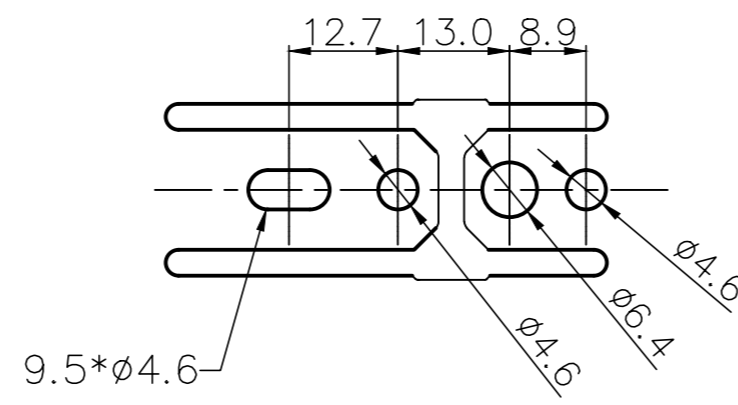


Detail T2
(2:1)

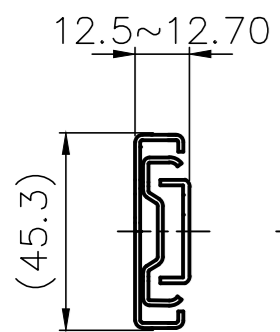
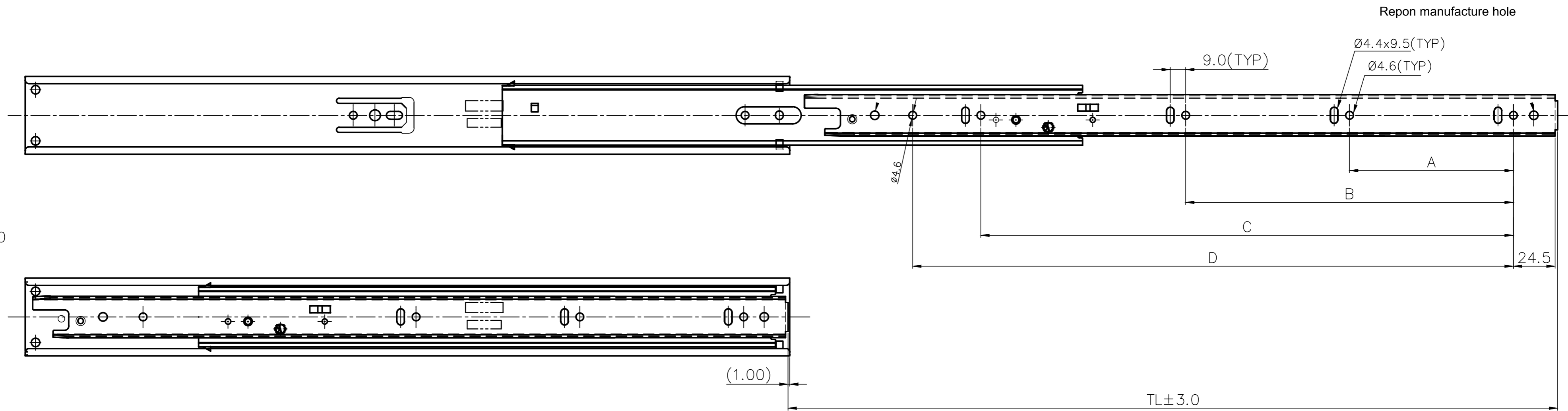
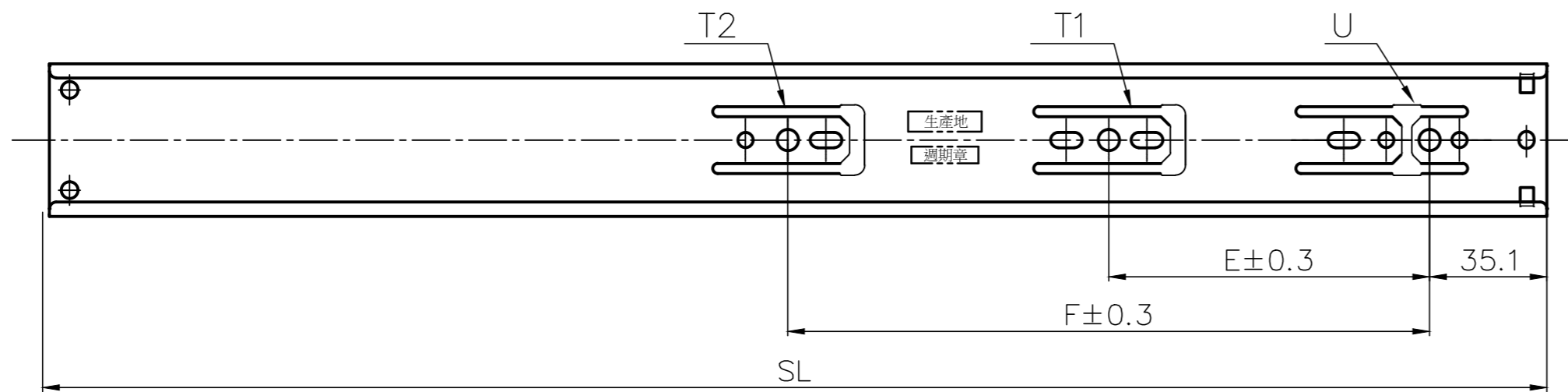


Detail T1
(2:1)



Detail U
(2:1)

SIZE	300	350	400	450	500	550	600	650	700
SL	300.0	350.0	400.0	450.0	500.0	550.0	600.0	650.0	700.0
TL	250.0	315.0	400.0	450.0	500.0	550.0	600.0	650.0	700.0
A	64.0	96.0	160.0	96.0	96.0	96.0	128.0	128.0	128.0
B	/	/	/	192.0	224.0	224.0	224.0	288.0	288.0
C	/	/	/	/	/	/	416.0	448.0	480.0
D	192.0	256.0	288.0	352.0	384.0	448.0	480.0	544.0	576.0
E	/	96.0	160.0	96.0	128.0	160.0	192.0	192.0	224.0
F	/	/	/	192.0	256.0	320.0	352.0	416.0	448.0



Notes:

- 1.Material Spec:Slide member - cold rolled steel,retainer - galvanized steel, bearing - carbonized steel, lubricant - anti-wear,high-low temperature grease
- 2.Loading: 100# (45 kgf) based on 500mm
- 3.Functional temperature:5 degree C to 35 degree C (room temperature)
- 4.Finish: zinc plated
- 5.(300mm-700mm)/Detent force : 1.2~2.2 kgf/piece
- 6.slide must be measured at the area where ball bearings fully support for slide thickness
- 7.Slide is provided with disconnect



TOLERANCES ARE FOLLOWS UNLESS OTHERWISE SPECIFIED

.XX	±0.30
.X	±0.76
HOLES	±0.15
ANGLE	±1°
	SCALE:
	UNIT: MM
	CLASSIFICATION:

REV	DATE	DESCRIPTION	DRW
△			

DRW:	CUSTOMER P/N:
DATE: 2016/05/23	CUSTOMER
CKD:	APPD:

TITLE:	MODEL: TSS4613SC
MATERIAL:	P/N:
FINISH:	SHEET 1 OF 1